

Cyclone®

Self-Cleaning Range Hoods



Installation and Operating Instructions

Please read all instructions before installing and operating.

All wiring and installation must be in accordance with CEC, NEC and local electrical codes.

Attention : All Cyclone range hoods require a 6" ducting. You must use no less than 6 " ducting for your warranty to be active. If you use any size ducting less than mentioned above your warranty is automatically voided.

ONLY CYS1000R may use a 4" ducting.



READ AND SAVE THESE INSTRUCTIONS

CONTENTS

Pg. 3)	Ducting
Pg. 4)	Mount Heights & Clearance
Pg. 5)	Canopy Range Hood Installation
Pg. 6)	Electrical Grounding
Pg. 7)	Specifications
Pg. 8)	Control Panel
Pg. 9)	Island Range Hood Installation instructions
Pg. 10)	Mounting the Island Range Hood
Pg. 11)	Diagram
Pg. 14)	Island Surface Maintenance/Filters/ Replacing Light Bulbs
Pg. 15)	Cyclone Warranty

READ AND SAVE THESE INSTRUCTIONS

Caution:

FOR GENERAL VENTILATING USE ONLY. DO NOT USE TO EXHAUST HAZARDOUS OR EXPLOSIVE MATERIALS OR VAPORS.

This appliance must be installed by a qualified technician. The manufacturer declines all responsibility in case of failure to adhere to safety standards. Ensure that exhausted air not directed into flue that is used for venting fumes from other appliances.

Warning

To reduce the risk of fire, electric shock, or injury to persons, observe the following:

1. Use this unit only in the manner intended by the manufacturer.
2. Before servicing or cleaning the unit switch power off at service panel and lock service panel disconnecting means to prevent power from being switched on accidentally. When the service disconnecting means cannot be locked securely fasten a prominent warning device to the service panel.
3. Installation work and electrical wiring must be done by qualified persons in accordance with all applicable codes and standards, including fire-rated construction.
4. Sufficient air is needed for proper combustion and exhausting of gases through the flue of fuel burning equipment to prevent back drafting. Follow the heating equipment manufacturer's guideline and safety standards as published by the local code authorities.
5. When cutting or drilling into wall or ceiling, do not damage electrical wiring.
6. Ducted ventilation systems must always be vented to the outdoors.

CAUTION:

To reduce risk of fire and to properly exhaust air, be sure to duct air outside – do not vent exhaust air into spaces within walls, ceilings, attics, crawl spaces, or garages.

WARNING

TO REDUCE THE RISK OF FIRE, USE ONLY METAL DUCT WORK.

Install this hood in accordance with all requirements specified.

TOOLS AND MATERIALS REQUIRED

- Electrical drill or Ratchet Driver
- ½" drill bit for drilling pilot holes
- 1 ¼" drill bit for drilling electrical wiring access hole.
- Screwdrivers: Phillips & straight blade
- Pliers
- Tape measure or ruler and pencil
- Electrical supplies for wiring
- Aluminum foil tape and/or duct tape
- Hammer
- Jigsaw or saber saw
- Two ¾" - 1 ½" screws
- Stud finder

BEFORE INSTALLING THE HOOD

1. For the most efficient airflow exhaust use a straight run or as few elbows as possible. Vent unit to the outside only.
2. Two people are required for installation

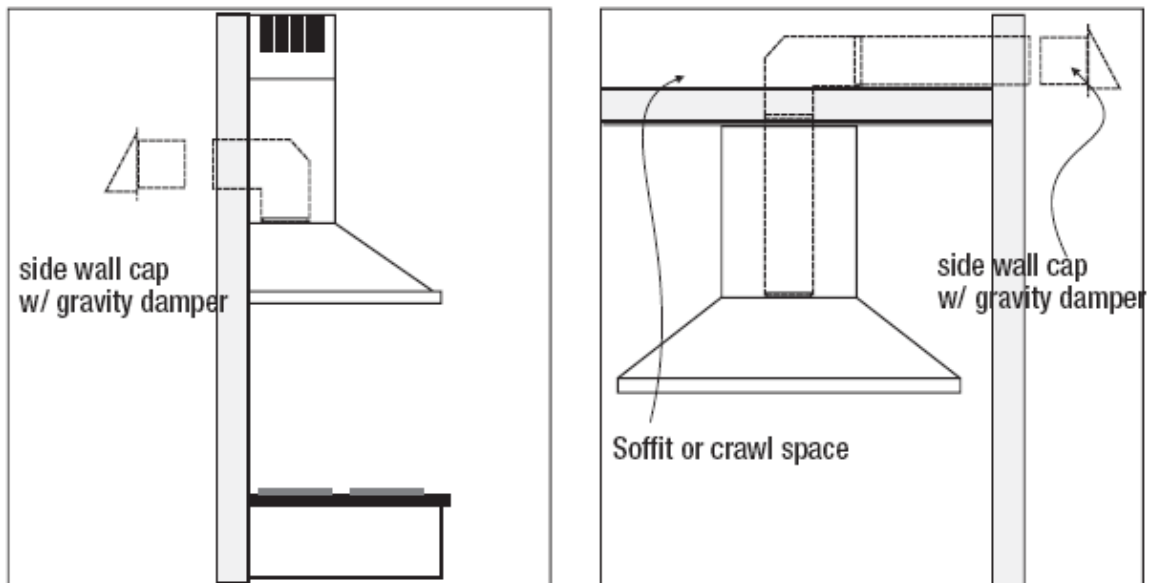
Ducting

Always use rigid type metal ducts. Flexible ducts can restrict airflow by more than 50%.

6" round ductwork must be used to maintain maximum air flow efficiency with the 550 CFM motor.

Reduce the number of transitions and turns as much as possible. If a reducer is used, install a long reducer instead of a pancake reducer. Reduce duct size as far away from the opening as possible. If turns and transitions are required install them as far away from the opening as possible and as far apart between two as possible.

Here are some examples of different types of ventilation:



PREPARATION

Do not cut a joist or stud unless absolutely necessary. If a joist or stud must be cut then a supporting frame must be constructed.

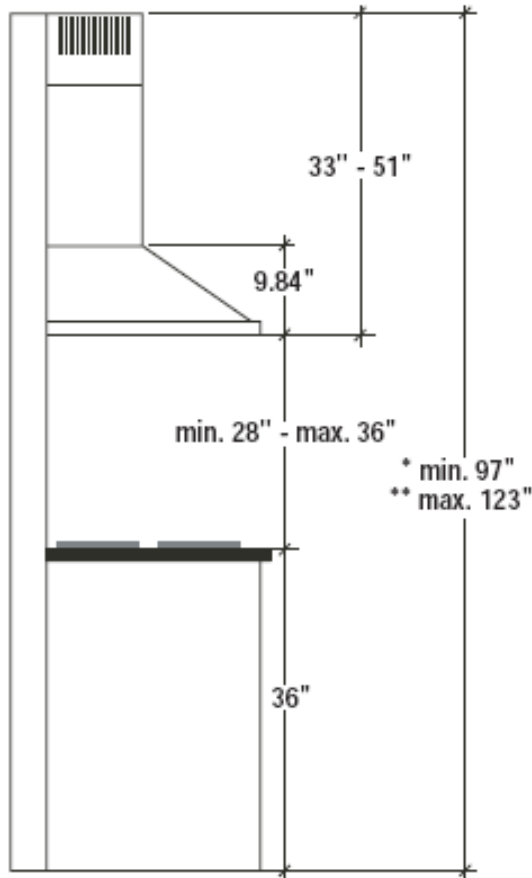
Before making cutouts make sure there is proper clearance within the ceiling or wall for exhaust vent.

Hood installation height above cook top is the user's preference. The lower the hood is above the cook top the more efficient it will be in drawing out cooking odours, grease and smoke.

THE HOOD SHALL BE INSTALLED AT 28" MINIMUM TO 36" ABOVE THE COUNTERTOP.

Check your ceiling height and the hood height maximum before you select your hood.

Mount Heights and Clearance



Minimum mount height between range top to hood bottom should be no less than 28". The maximum mount height should be no more than 36". The hood must be installed at the correct mounting height. Hoods mounted too low could result in heat damage. Hoods mounted too high, on the other hand, will be less effective and performance will suffer.

Installation:

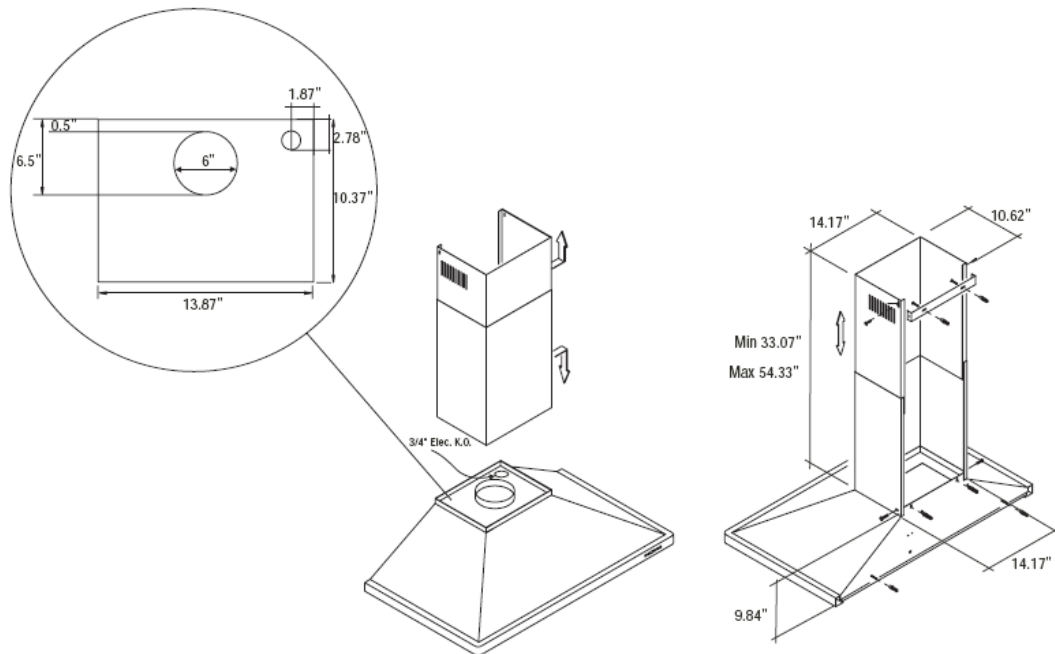
1. Determine the necessary height for the conduit and cut a 1-1/4" hole. Run wires through the hole according to local codes and ordinances. Use caulking to seal all openings. Do not turn the power on until completion of installation.
2. Find studs behind drywall by tapping wall or using a stud finder. Make sure there is a stud or that the wall is strong enough to support the weight of the Canopy fan. If no stud attach a piece of wood or whatever necessary to ensure the strength of the wall is enough to handle the weight of the machine. NOTE: all fastener locations must span the studs otherwise proceed as follows: Cutout drywall along marked lines. Install each necessary between studs firmly flush with already existing stud front. Make sure all the mounting screws will anchor to added studs. Replace drywall and refinish.
3. Screw the screws in three quarters of the way and hang machine. **Use two or more people to move and install hood. Failure to do so may result in injury.**
4. Tighten screws completely.
5. Level the machine using a carpenter's level across the bottom.
6. Attach shaft of the Canopy fan and adjust according to need. A small metal bracket can be secured to the top of the shaft for better stability.
7. Connect ducting to transition then seal with duct tape.
8. **Electrical connection**

Warning:

Electrical Shock Hazard

Turn off power circuit at the service panel before wiring this unit

All electrical work must be done by a qualified electrician or person with technical background and understanding.



Electrical Grounding Instructions

This appliance is fitted with an electrical junction box with 3 wires, one of which (green/yellow) serves to ground the appliance. To protect you against electric shock the green and yellow wire must be connected to the grounding wire in your home electrical system and it must not be cut or removed under any circumstances. Failure to do so may result in death or injury to persons.

Facing the front of the range hood remove the left knockout and the Junction box cover and install the conduit connector in junction box.

Run 3 wires; black, white and green, according to the National Electrical Code and local codes and ordinances in ½" conduit from service panel to junction box.

Connect black wire from service panel to black or red in junction box, white-to-white and green to green-yellow.

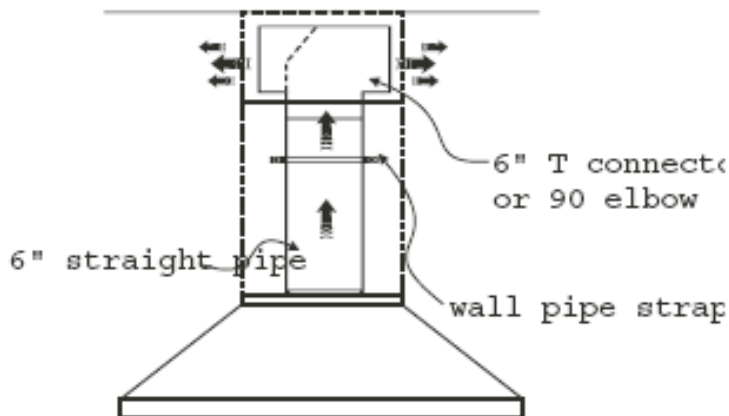
Check all light bulbs to make sure they are secure in their sockets.

Turn power on in service panel.

Check lights and blower operation.

Air Flow Volume	550 CFM						
Electrical Connections	120V, 60Hz						
Power Consumption	200 Watts						
Fan Speed / # Of Motor(s)	1550 RPM / One motor						
Colours	Stainless Steel						
Venting	SC-500, SC-501, SC-502 SC-503, SC-510				SI-521, SI-522, SI-520, SI-523, SI-530, SI-531		
Dimensions	SC-500	SC-501/ SI-521	SC-502/ SI-522	SC-503	SC-510	SI-523/ DI-531	SI-530
Width:	24"/30"/36"	30" / 36"	30"/36"	30"/36"	36"	36"	36"
Height Max:	25.88"	34.4"/35.2"	44"/44"	40"	28"	47.2"	72"
Depth:	20"	20" / 24"	20"/24"	20"	20"	24"	24"

SPECIFICATIONS



SURFACE MAINTENANCE

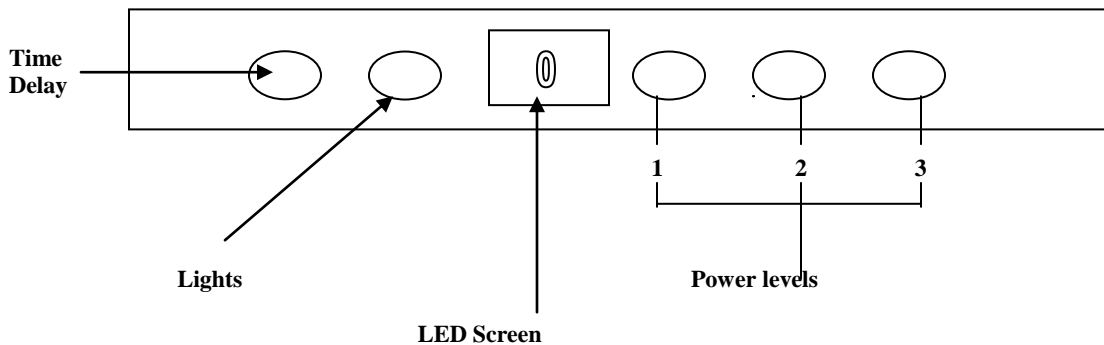
Always switch off power and unplug before cleaning and maintenance.

Clean with warm soapy water and clean cloth. Do not use corrosive or abrasive detergent or steel wool pads that can scratch the surface of the machine.

Use non-abrasive stainless steel polish to buff out the luster and grain. Scrub lightly.

The stainless steel filters trap residue and grease from cooking. The filters should never have to be replaced but should be cleaned thoroughly every thirty to sixty days depending on cooking habits. Filters may be placed in the dishwasher on at low heat or soaked in warm, soapy water.

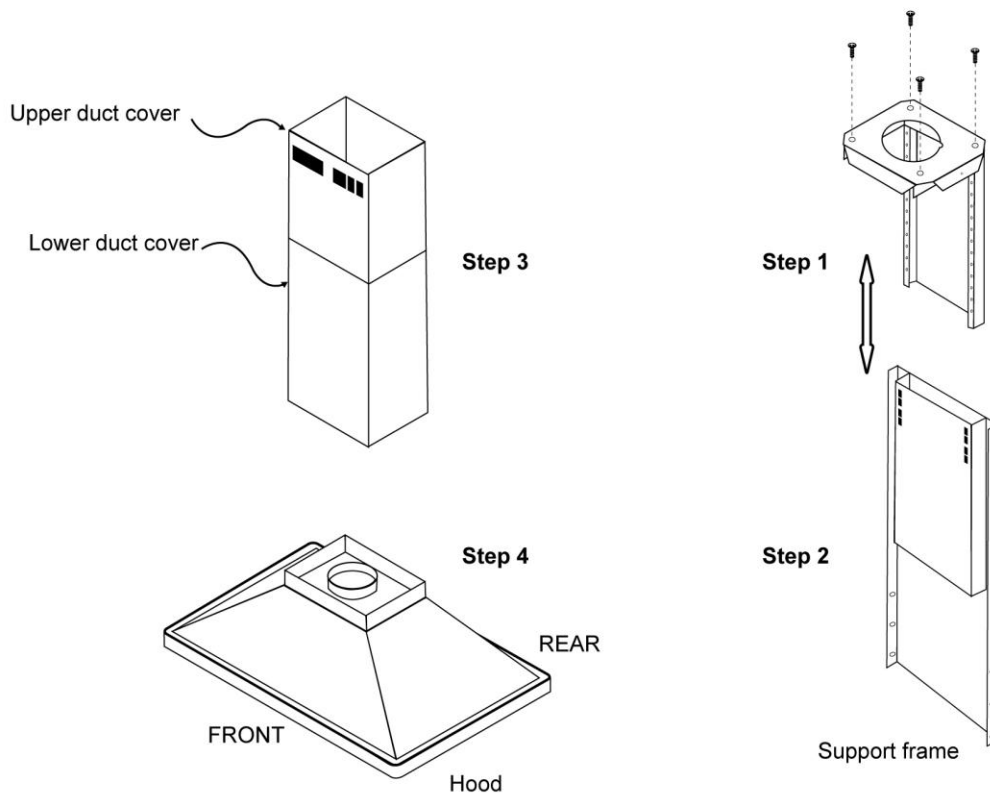
OUTLINE OF CONTROL PANEL/FEATURES



To engage time-delay off functions:

1. Turn the machine on at any speed
2. Press and hold time delay button
3. Using the power level one button scroll through and select the number of minutes you would like the machine to wait before automatically shutting off.

Island Hoods installation instructions:

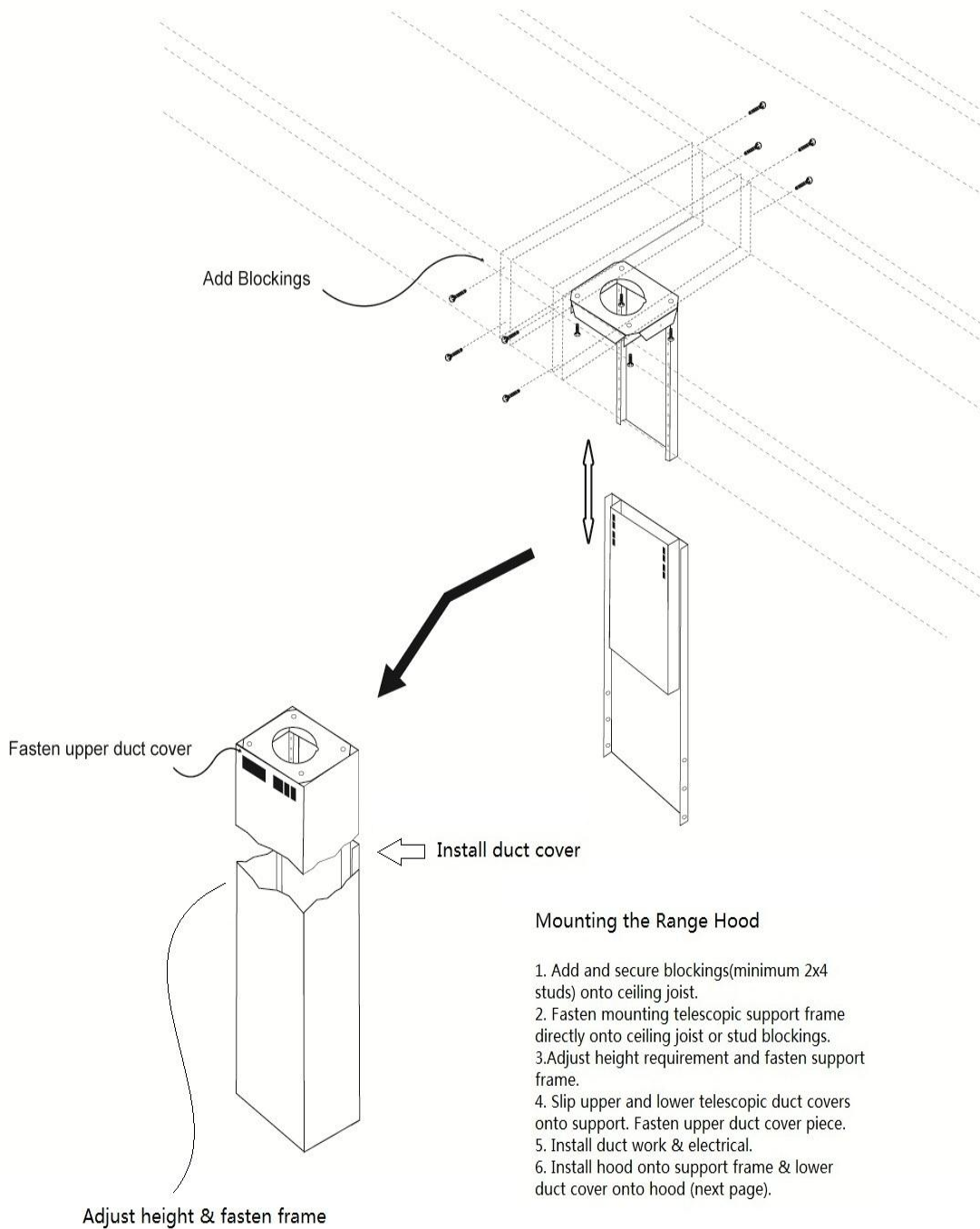


Warning:

For personal safety, remove house fuse or open circuit breaker before beginning installation. Do not use extension cord or adapter plug with this appliance. Follow National electrical codes or prevailing local codes and ordinances.

Electrical Supply

This appliance requires a 120V 60 Hz electrical supply, and must be connected to an individual properly grounded branch circuit, protected by a 15 or 20-ampere circuit breaker or time delay fuse.

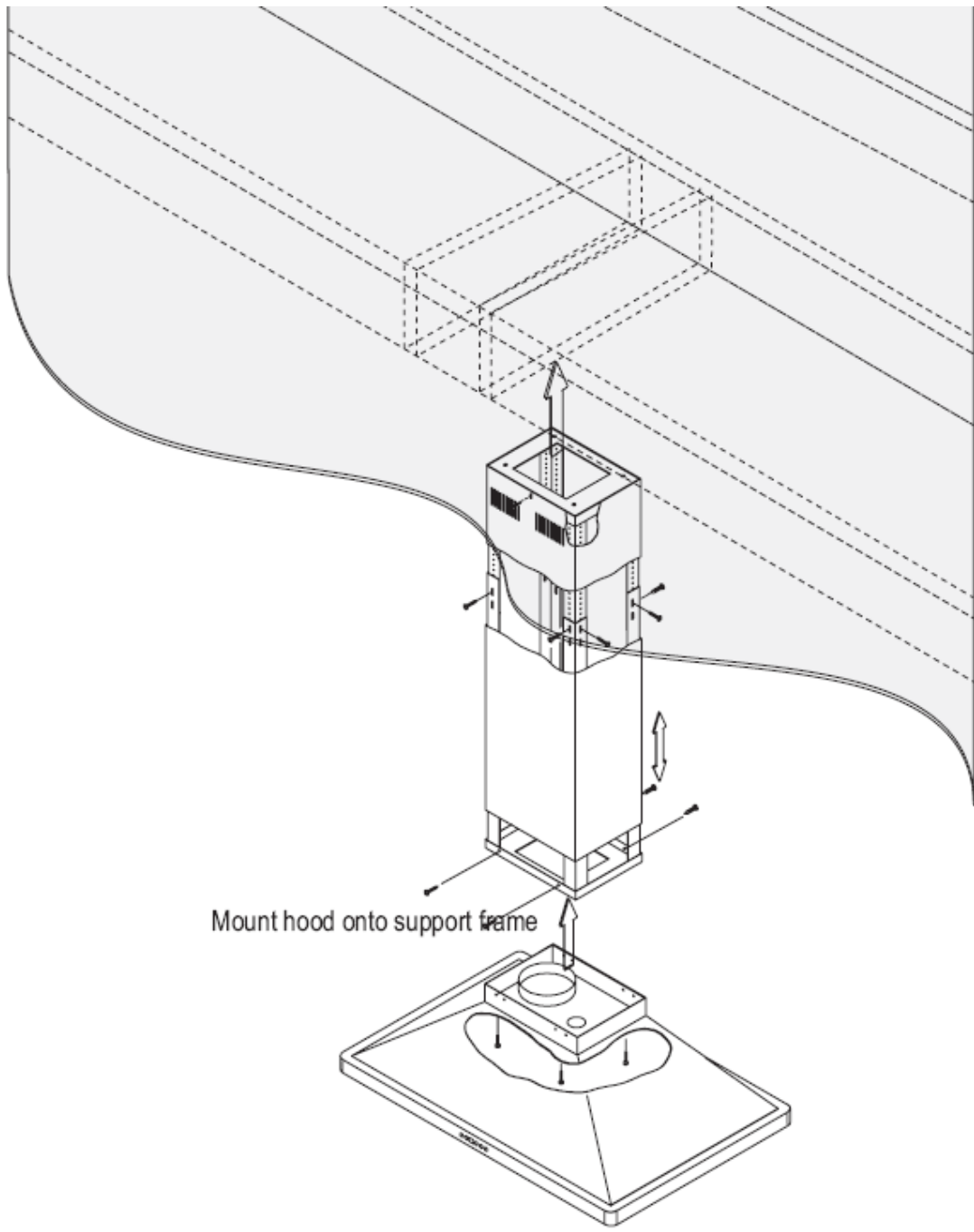


Mounting the Range Hood

1. Add and secure blockings (minimum 2x4 studs) onto ceiling joist.
2. Fasten mounting telescopic support frame directly onto ceiling joist or stud blockings.
3. Adjust height requirement and fasten support frame.
4. Slip upper and lower telescopic duct covers onto support. Fasten upper duct cover piece.
5. Install duct work & electrical.
6. Install hood onto support frame & lower duct cover onto hood (next page).

Installing island range hood:

1. Remove kitchen ceiling tiles etc. and locate/create ducting hole.
2. Locate wooden beams adjacent to ducting hole.
3. Insert and attach two wooden pieces forming a square frame around the ducting hole with the already existing beams.
4. With included screws attach the adjustable white metal support to the wooden frame.
5. Attach duct through the support into the ducting hole in the ceiling.
6. Attach the island range hood to the support system with the included screws after adjusting the support to the required height.
7. Attach duct to the top of the island range hood.
8. Slip stainless steel duct cover over the duct and adjust to the necessary height.



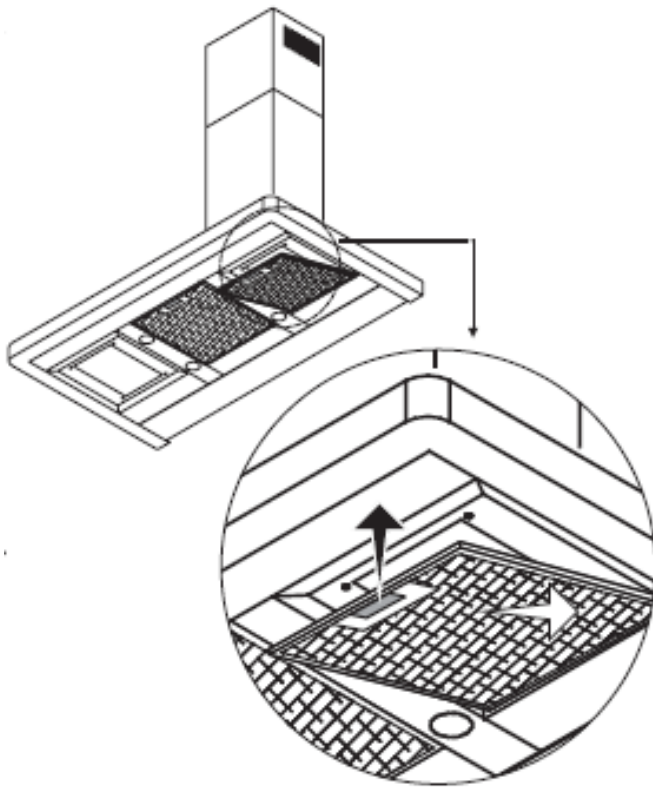
SURFACE MAINTENANCE FOR ISLAND RANGE HOOD

Always switch off power and unplug before cleaning and maintenance.

Clean with warm soapy water and clean cloth. Do not use corrosive or abrasive detergent or steel wool pads that can scratch the surface of the machine.

Use non-abrasive stainless steel polish to buff out the luster and grain. Scrub lightly.

The stainless steel filters trap residue and grease from cooking. The filters should never have to be replaced but should be cleaned thoroughly every thirty to sixty days depending on cooking habits. Filters may be placed in the dishwasher on at low heat or soaked in warm, soapy water.



Grease filters

Replacing light bulbs

Make sure all power is turned off and bulbs are not hot.

Remove by using a slot-head screwdriver to pop out the bulb cover off, and unscrew and replace bulb.

To replace cover simply insert the three prongs into the slots and pop back into place.

Cyclone Range Hood Limited Warranty

North American Range Hoods Inc. (hereunder called “The Company”) provides a warranty that its products are free from defects in workmanship and materials for a period of two (2) year from the date of purchase. During that time period, The Company will, at no charge, replace at the Company’s option, any parts or complete unit found to be defective. Further, the warranty for the motor extends for an additional three (3) years, with labour costs extra.

This warranty is not transferable and does not include light bulbs, ducts roof caps, and other accessories for ducting. The warranty does not include normal maintenance and service. The warranty does not apply to damages caused by misuse, incorrect installation, mistreatment, negligence, improper shipping, attempts to alter or modify the function of part or the complete assembly, acts of God, or any other circumstances beyond the control of The Company. The Warranty does not cover the costs of removal, installation and transportation of defective product.

The warranty on your Cyclone range hood begins on the date of original purchase. In order to register your purchase, please fill out both the customer and manufacturer copies of the Limited Warranty Registration card below. Retain the customer copy, with the dated bill of sale or other evidence of the original proof of purchase, and return the manufacturer copy within 30 days of purchase.

For warranty services or repair. Please contact the dealer from whom you purchase the product or the address shown below.

North American Range Hoods Inc
110 Silver Star Blvd.
Scarborough, ON M1V 5A2
Tel: (416) 293-0933 Fax (416) 293-4793
Email: info@cyclonerangehoods.com
Website: www.cyclonerangehoods.com